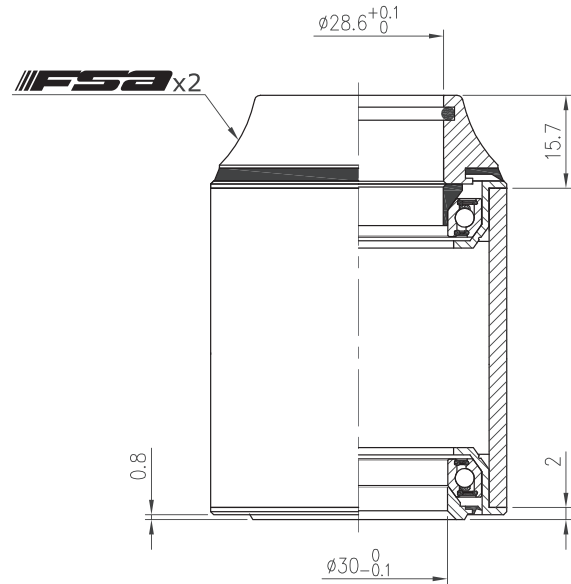
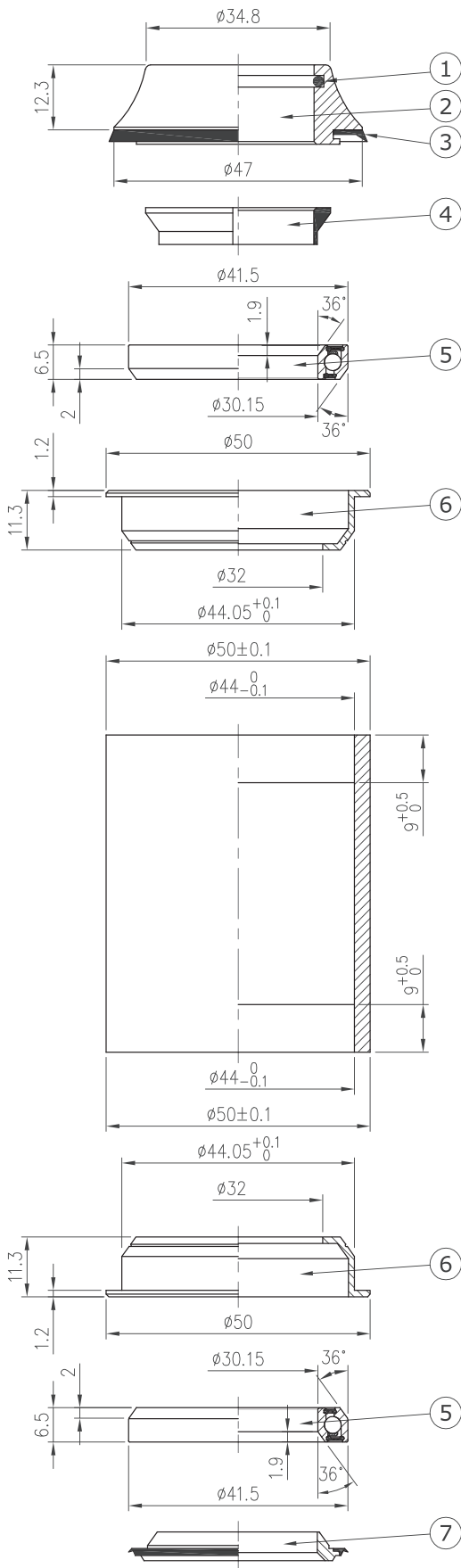


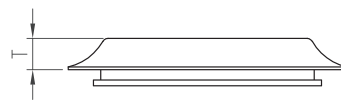
Internal Headset

NO.9M/CUP/TH

1-1/8", 36°/ 36° ACB, Deeper cups



Stack Height 15.7+2=17.7



Custom cone spacer		
Item No	T	Stack Height
H2051C	3.3mm	8.7mm
H2051A	5.3mm	10.7mm
H2051J	8.2mm	13.6mm
H2051G	17.3mm	22.7mm
H2051E	22.3mm	27.7mm
H2051H	27.3mm	32.7mm



Weight - 114.1 grams

- For 50mm OD head tube
- 1-1/8" steerer
- Alloy top cover
- Forged CrMo deeper cups
- Angular Contact Bearing (Black seal)

No	Item No	Material	Qty
⑦	H6052	Steel w/ rubber sealed	1PCS
⑥	H4097	CrMo	2PCS
⑤	MR043{872E-RS}	Chrome steel	2SETS
④	H2036{NO.5-2}	Nylon	1PCS
③	MS073	Rubber	1PCS
②	H2051B	Alloy	1PCS
①	MS053{872}	Rubber	1PCS

