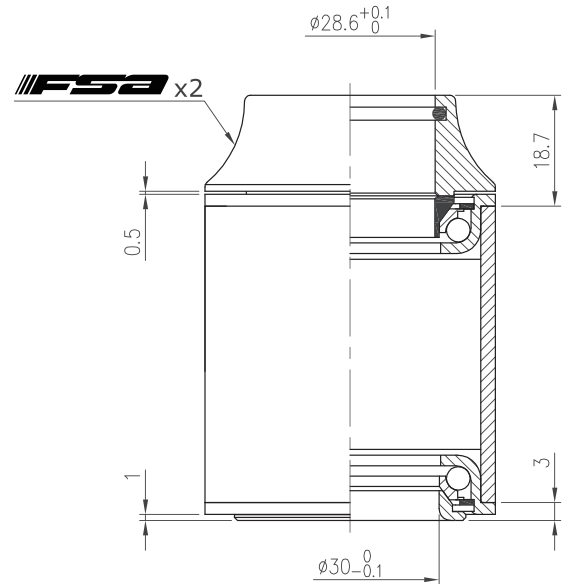
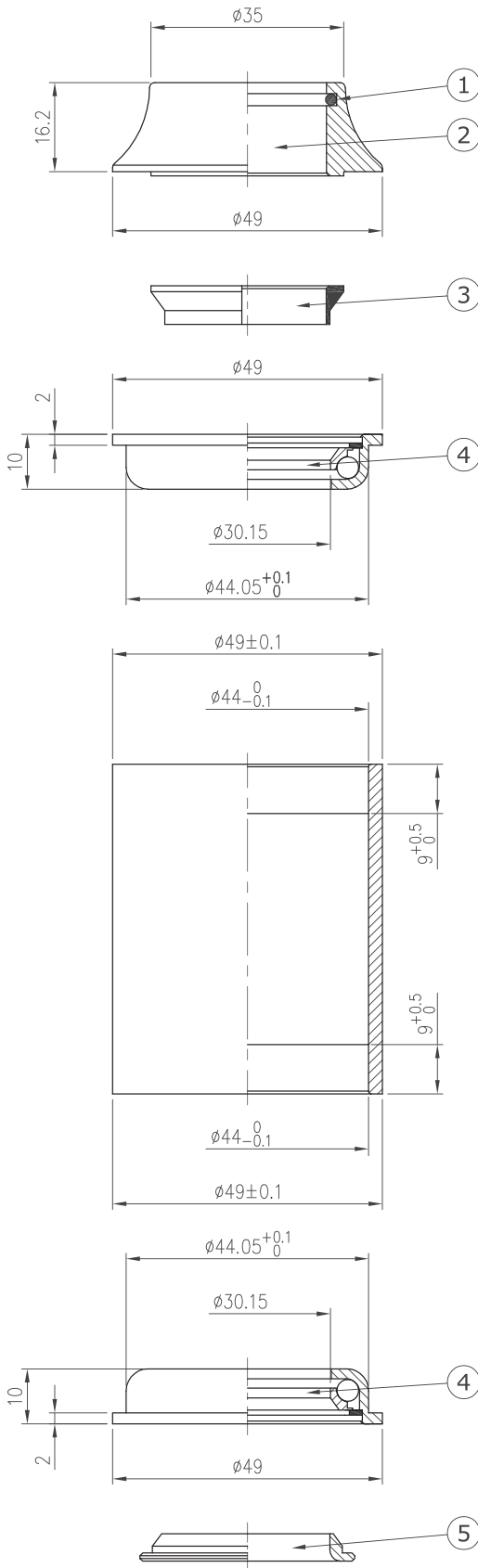


# Internal Headset

## NO.11N

1-1/8", Semi-cartridge bearing



Stack Height 18.7+3=21.7



Custom cone spacer		
Item No	T	Stack Height
H2203A	8.2mm	13.7mm
H2203G	21.2mm	26.7mm
H2203H	26.2mm	31.7mm
H2203I	31.2mm	36.7mm



Weight - 124.3 grams

- For 49mm OD head tube
- 1-1/8" steerer
- Alloy top cover
- Chromoly cups with integrated semi-cartridge bearing

No	Item No	Material	Qty
⑤	H6018{B-53-6}	Steel	1PCS
④	MR083{NO.11Q}	Chrome steel	2SETS
③	H2036{NO.5-2}	Nylon	1PCS
②	H2203F{NO.11N-2}	Alloy	1PCS
①	MS053{872}	Rubber	1PCS

