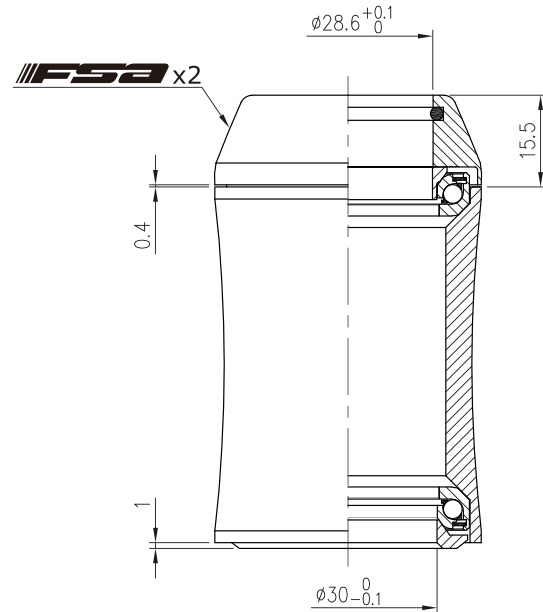
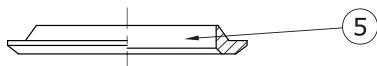
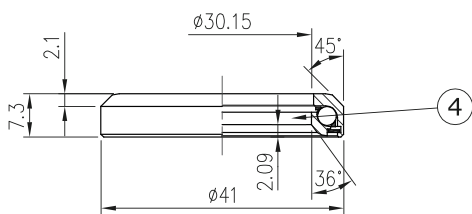
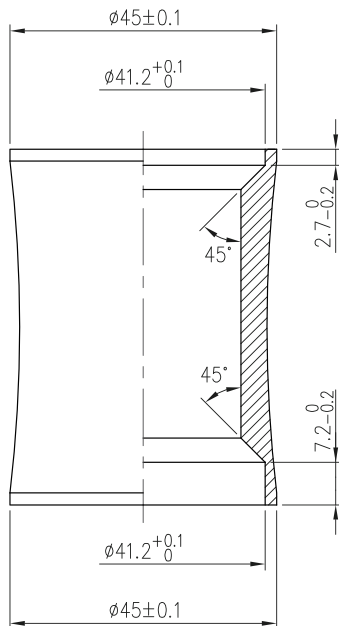
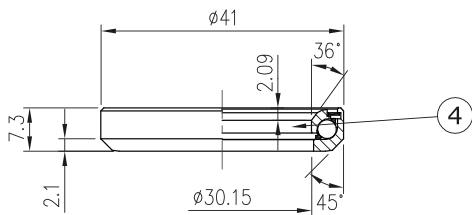
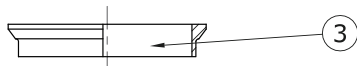
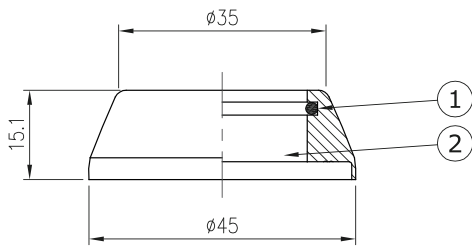


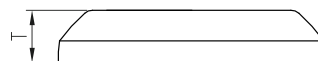
Integrated Headset (CC)

NO.23/CC

1-1/8", 36°/ 45° ACB



Stack Height 15.5+1=16.5



Custom cone spacer		
Item No	T	Stack Height
H2221A	8.9mm	10.3mm
H2221C	20.1mm	21.5mm
H2221D	25.1mm	26.5mm



Weight - 75 grams

- For 45mm OD head tube
- 1-1/8" steerer
- Alloy top cover
- Angular Contact Bearing (Black seal)

No	Item No	Material	Qty
⑤	H6082{S2-1-1/8"-6}	Steel	1PCS
④	MR040{873/DJ-RS}	Chrome steel	2SETS
③	H2048{WCS-1-1/8"-2}	Alloy	1PCS
②	H2221B{NO.23/CC-2}	Alloy	1PCS
①	MS053{872}	Rubber	1PCS

