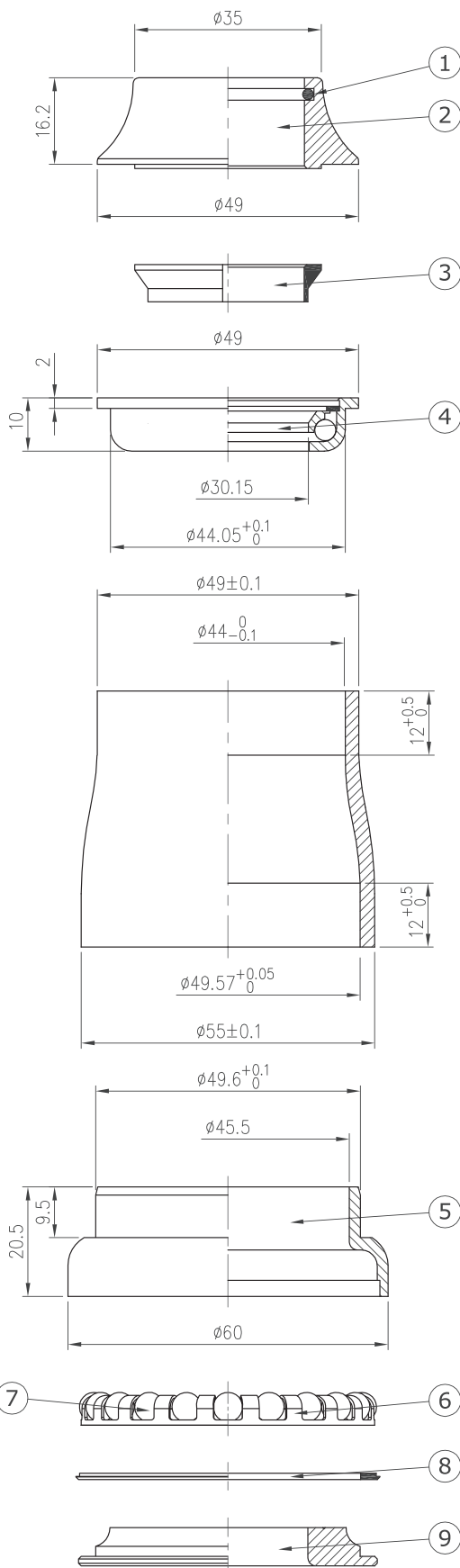


Internal Headset

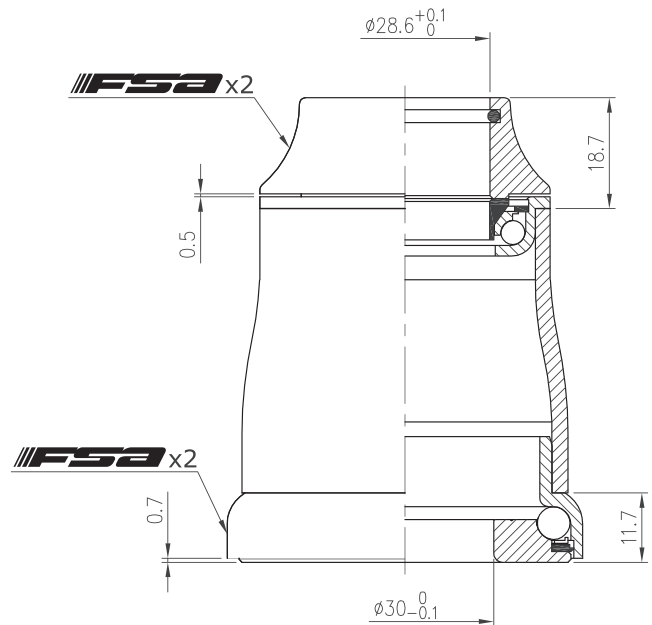
FSA SXE (I/E)

NO.11N/NO.7BY

1-1/8", Semi-cartridge bearing-Upper
Retainer bearings-Lower



- For tapered 49mm / 55mm OD head tube
- 1-1/8" steerer
- Chromoly upper cup and CNC machined lower cup
- Upper : Semi-cartridge bearing
- Lower : Super oversized Ø7/32"x20 retainers bearings



Stack Height 18.7+11.7=30.4



Custom cone spacer		
Item No	T	Stack Height
H2203A	8.2mm	22.4mm
H2203G	21.2mm	35.4mm
H2203H	26.2mm	40.4mm
H2203I	31.2mm	45.4mm



Weight - 248.8 grams

No	Item No	Material	Qty
⑨	H6051{NO.60-6}	Steel	1PCS
⑧	MS096{NO.60-4-6}	Rubber	1PCS
⑦	MR005{Ø7/32"}	Chrome steel	20PCS
⑥	MR068{Ø7/32"x20}	Steel	1PCS
⑤	H4114{NO.60ST-5}	Steel	1PCS
④	MR083{NO.11Q}	Chrome steel	1SET
③	H2036{NO.5-2}	Nylon	1PCS
②	H2203F{NO.11N-2}	Alloy	1PCS
①	MS053{872}	Rubber	1PCS

