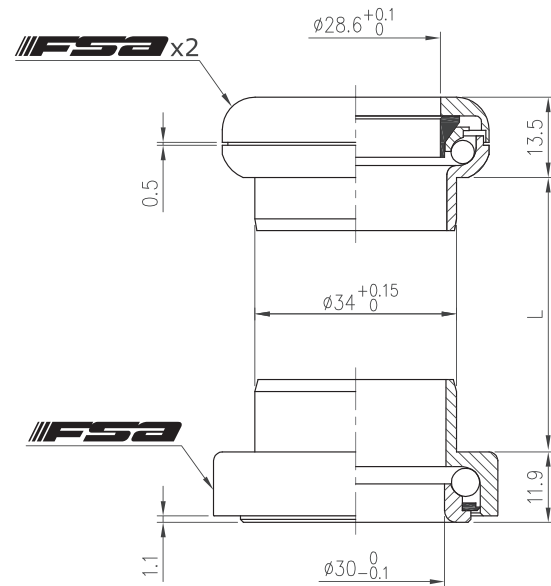
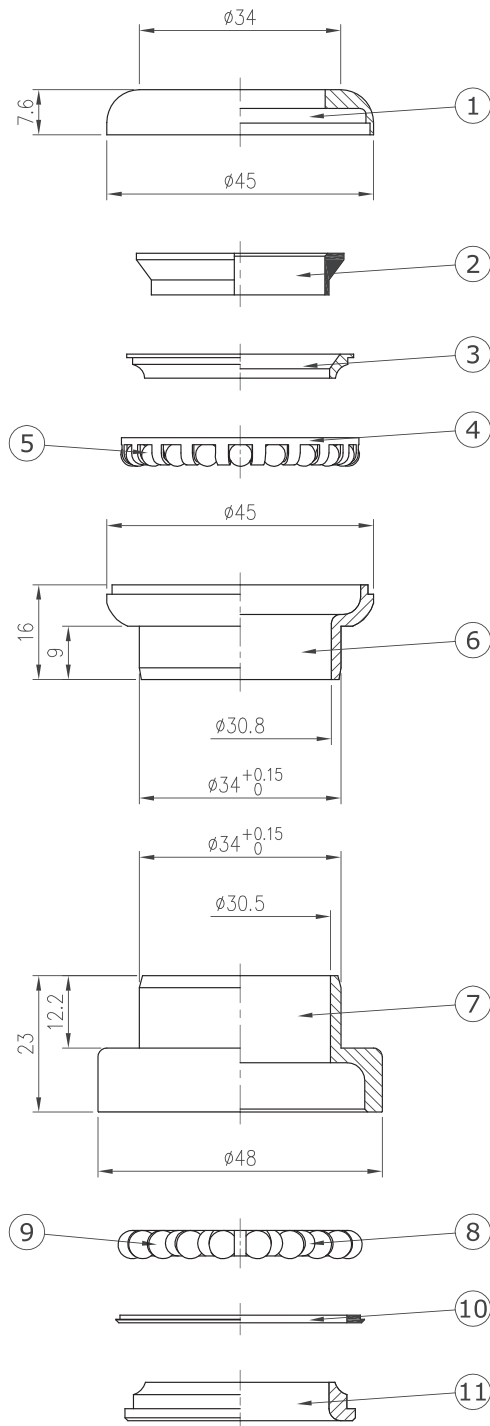


Threadless Headset

Mallet

TH-872

1-1/8", For Heavy Duty Retainer bearings



Stack Height $13.5 + 11.9 = 25.4$



Weight - 150 grams

- 1-1/8" steerer
- 12mm "Deep Cup" design
- Alloy top cover
- Forged and CNC machined steel cups
- Upper : $\Phi 5/32$ "x20 retainer bearings
- Lower : Oversized $\Phi 3/16$ "x20B retainer bearings

No	Item No	Material	Qty
⑪	H6010{850-6}	Steel	1PCS
⑩	MS018{800-4-6}	Rubber	1PCS
⑨	MR002{ $\Phi 3/16$ "}	Steel	20PCS
⑧	MR051{ $\Phi 3/16$ x20B}	Steel	1PCS
⑦	H5043{SBJ-5}	Steel	1PCS
⑥	H4058{857-4}	Steel	1PCS
⑤	MR001{ $\Phi 5/32$ "}	Chrome steel	20PCS
④	MR013{ $\Phi 5/32$ "x20}	Steel	1PCS
③	H7017{B-53}	CrMo	1PCS
②	H2036{NO.5-2}	Nylon	1PCS
①	H2061A	Alloy	1PCS

FSA