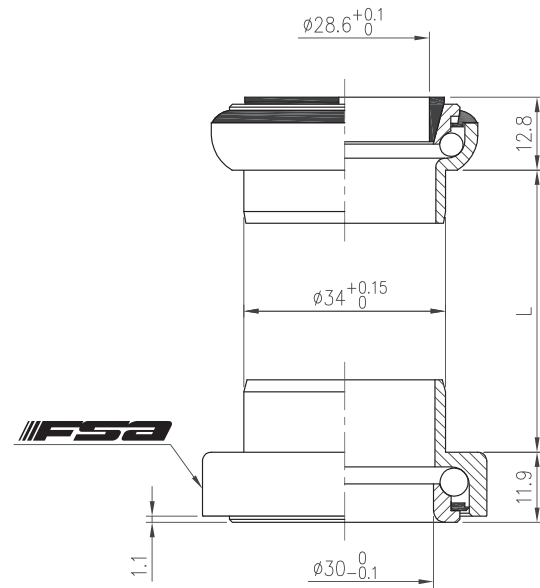
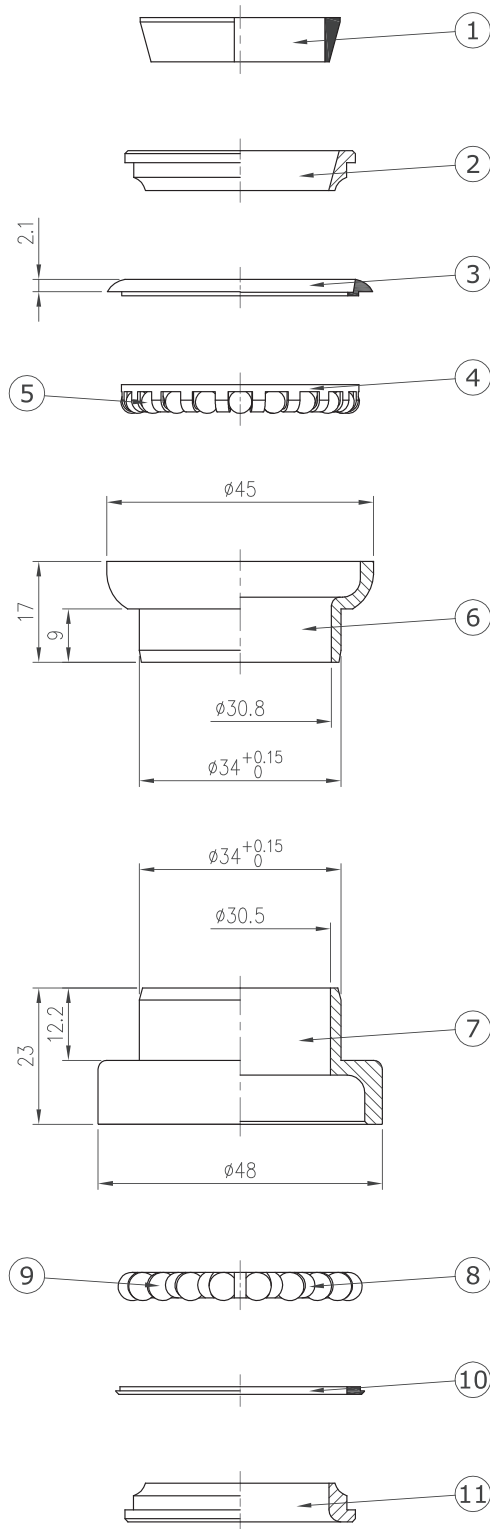


Threadless Headset

Hammer

TH-877

1-1/8", For Heavy Duty Retainer Bearings



Stack Height $12.8 + 11.9 = 24.7$



Weight - 149 grams

- 1-1/8" steerer
- 12mm "Deep Cup" design
- Nylon top cover & plastic seal
- Forged and CNC machined steel cups
- Upper : $\Phi 5/32$ "x20 retainer bearings
- Lower : Oversized $\Phi 3/16$ "x20B retainer bearings

| No | Item No | Material | Qty |
|----|--------------------------|--------------|-------|
| ⑪ | H6010{850-6} | Steel | 1PCS |
| ⑩ | MS018{800-4-6} | Rubber | 1PCS |
| ⑨ | MR002{ $\Phi 3/16$ "} | Chrome steel | 20PCS |
| ⑧ | MR051{ $\Phi 3/16$ x20B} | Steel | 1PCS |
| ⑦ | H5043{SBJ-5} | Steel | 1PCS |
| ⑥ | H4035{B52-4-5} | Steel | 1PCS |
| ⑤ | MR001{ $\Phi 5/32$ "} | Chrome steel | 20PCS |
| ④ | MR013{ $\Phi 5/32$ "x20} | Steel | 1PCS |
| ③ | MS005{850-6} | ABS | 1PCS |
| ② | H3071{888-3} | Steel | 1PCS |
| ① | H2040{888-2} | Nylon | 1PCS |

