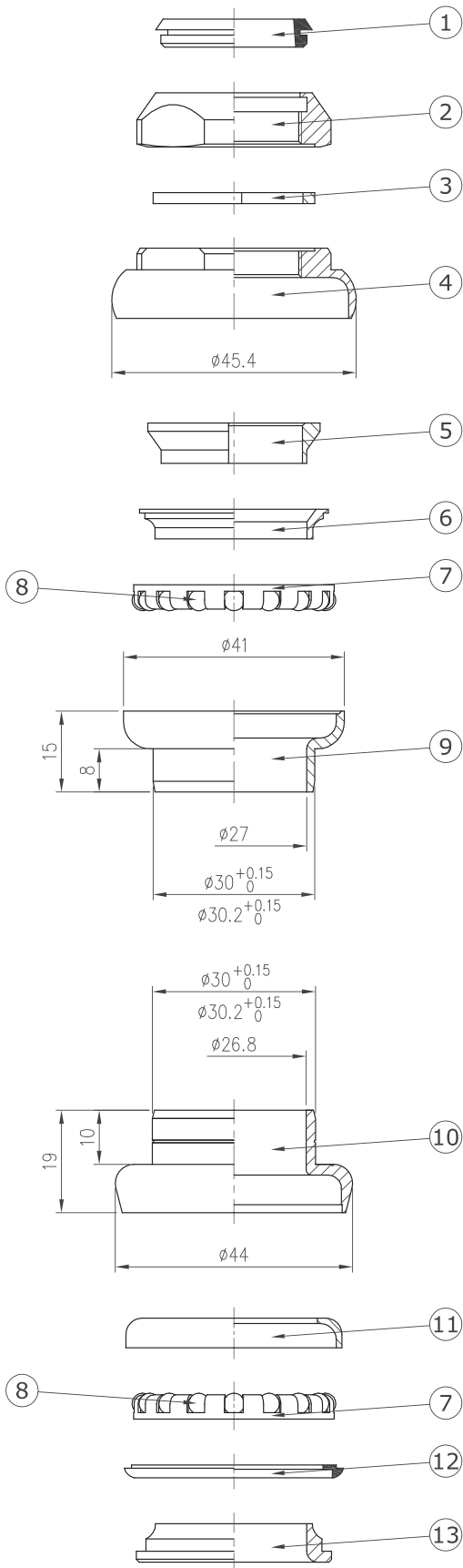


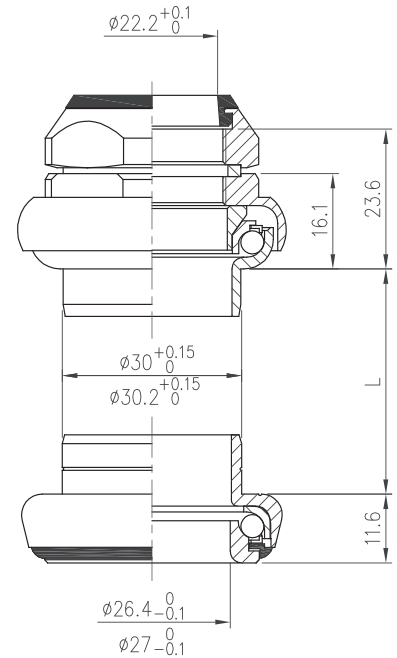
# Threadless Headset

## TH-360

1"x24T, Retainer bearings



- 1" steerer
- Sealed lock nut
- Forged steel upper cup & alloy lower cup
- $\phi 5/32$ "x16 retainer bearings



Stack Height 23.6+11.6=35.2



Weight - 105.5 grams

No	Item No	Material	Qty
13	H6006{390-6}	Steel	1PCS
12	MS003{390-6}	ABS	1PCS
11	H7004{360-5}	Steel	1PCS
10	H5006{360-5}	Alloy	1PCS
9	H4001{108-4}	Steel	1PCS
8	MR001{ $\phi 5/32$ "}	Chrome steel	32PCS
7	MR007{ $\phi 5/32$ "x16}	Steel	2PCS
6	H7001{1151}	CrMo	1PCS
5	H2019{NO.5A-2}	Alloy	1PCS
4	H3011{360-3}	Alloy	1PCS
3	H2007{360-2}	Alloy	1PCS
2	H1006{360-1}	Alloy	1PCS
1	MS012{Q-22.2}	Rubber	1PCS

