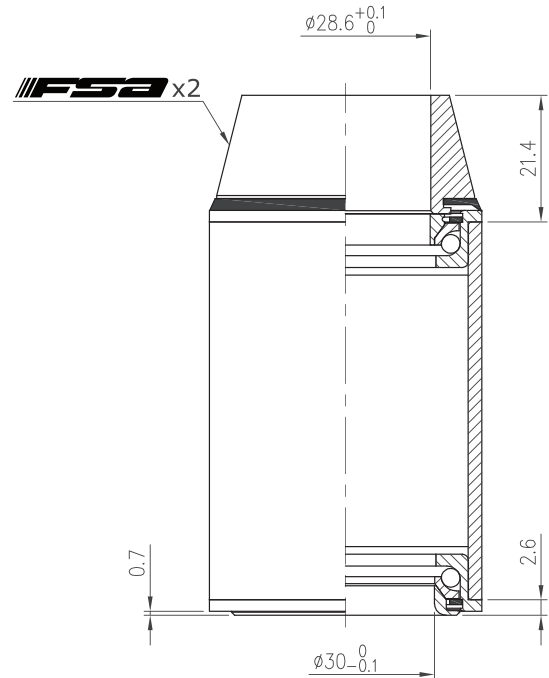
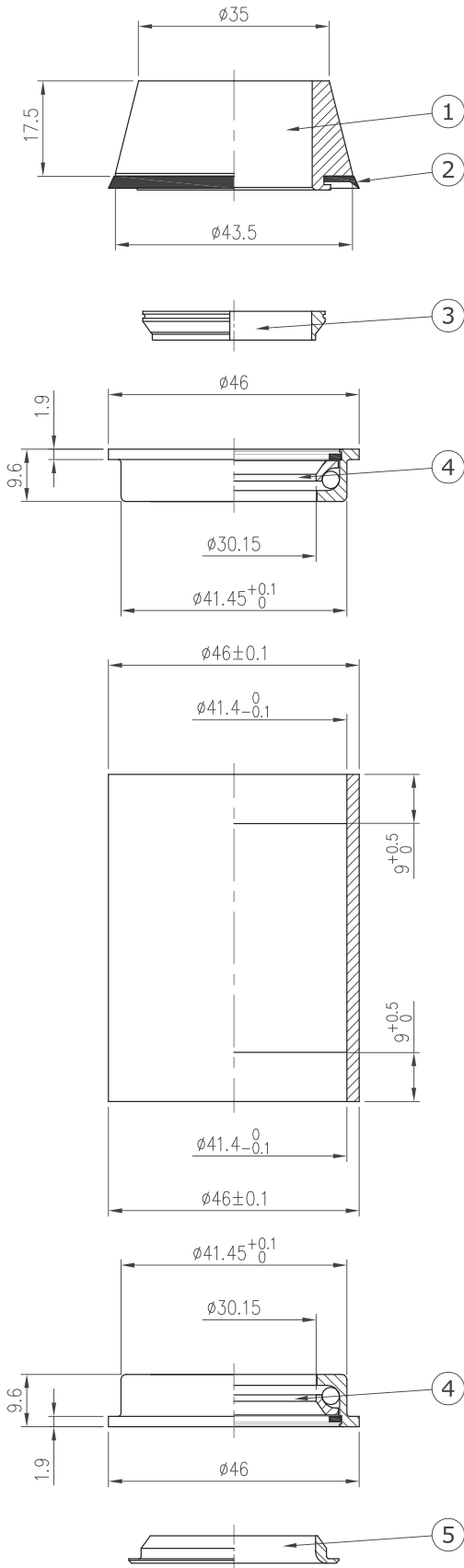


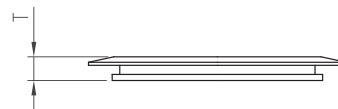
# Internal Headset

## NO.11AGY

1-1/8", Semi-cartridge bearing



Stack Height 21.4+2.6=24



Custom cone spacer		
Item No	T	Stack Height
H2095A	1.5mm	8mm



Weight - 112.7 grams

- For 46mm OD head tube
- 1-1/8" steerer
- Flat 1.5mm alloy top cover
- Chromoly cups with integrated semi-cartridge bearing

No	Item No	Material	Qty
⑤	H6062{IS-3E-6}	Steel	1PCS
④	MR085{NO.11AGY}	Chrome steel	2SETS
③	H2145{NO.11AGY-2}	Alloy	1PCS
②	MS072	Rubber	1PCS
①	H2095B{NO.11G-2}	Alloy	1PCS

