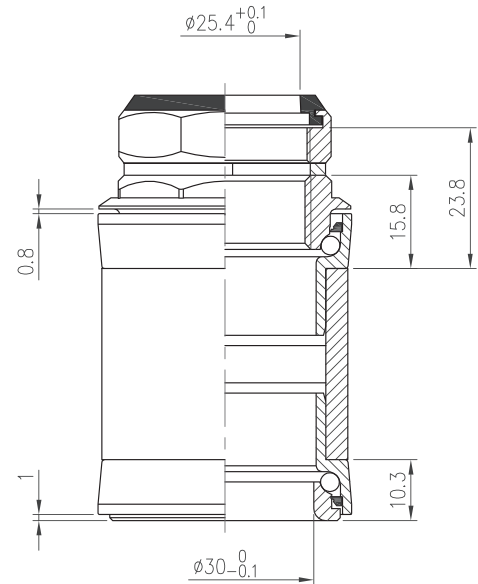
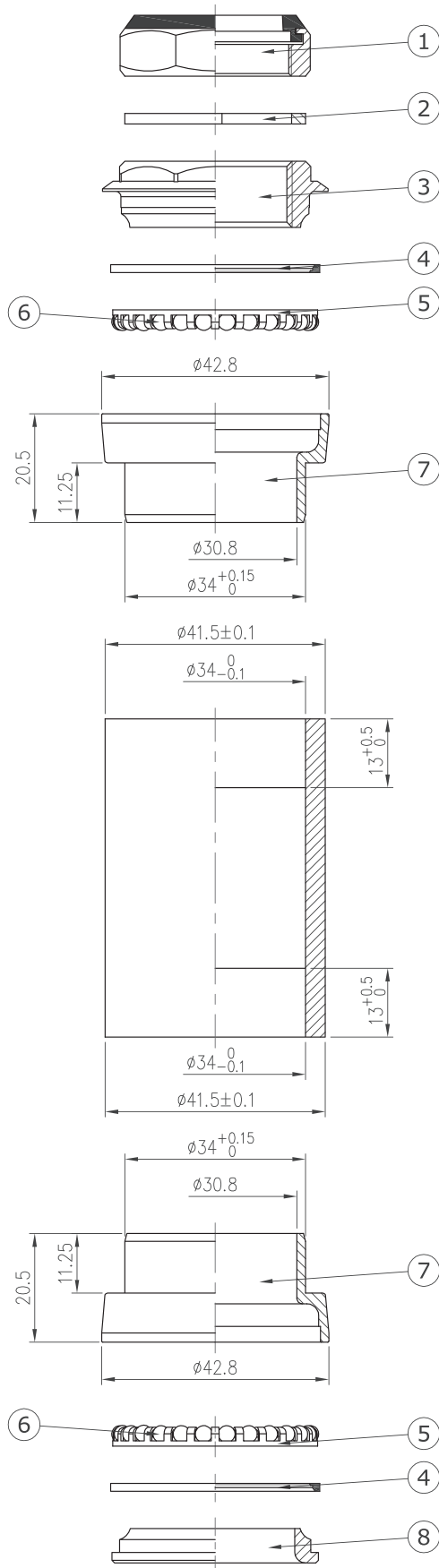


Threaded Headset

TH-39STT

1-1/8"x26T, Retainer bearings



Stack Height $23.8 + 10.3 = 34.1$



Weight - 155 grams

- 1-1/8" steerer
- Sealed lock nut
- Forged steel cups
- $\Phi 1/8"$ x26 retainer bearings

No	Item No	Material	Qty
⑧	H6010{850-6}	Steel	1PCS
⑦	H4073{NO.28-4}	Steel	2PCS
⑥	MR048{ $\Phi 1/8"$ }	Chrome steel	52PCS
⑤	MR056{ $\Phi 1/8"$ x26}	Steel	2PCS
④	MS314{NO.28}	PU	2PCS
③	H3060{39STT-3}	Steel	1PCS
②	H2012{850-2}	Steel	1PCS
①	H1020{850-1}	Zinc Alloy	1PCS

