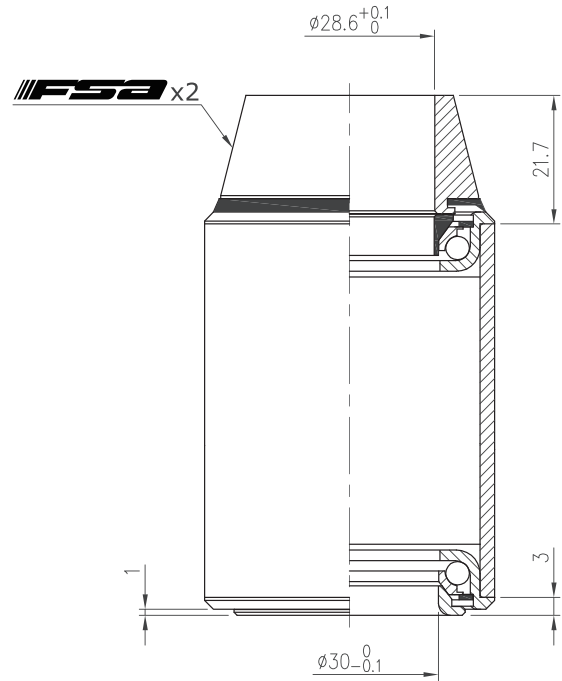
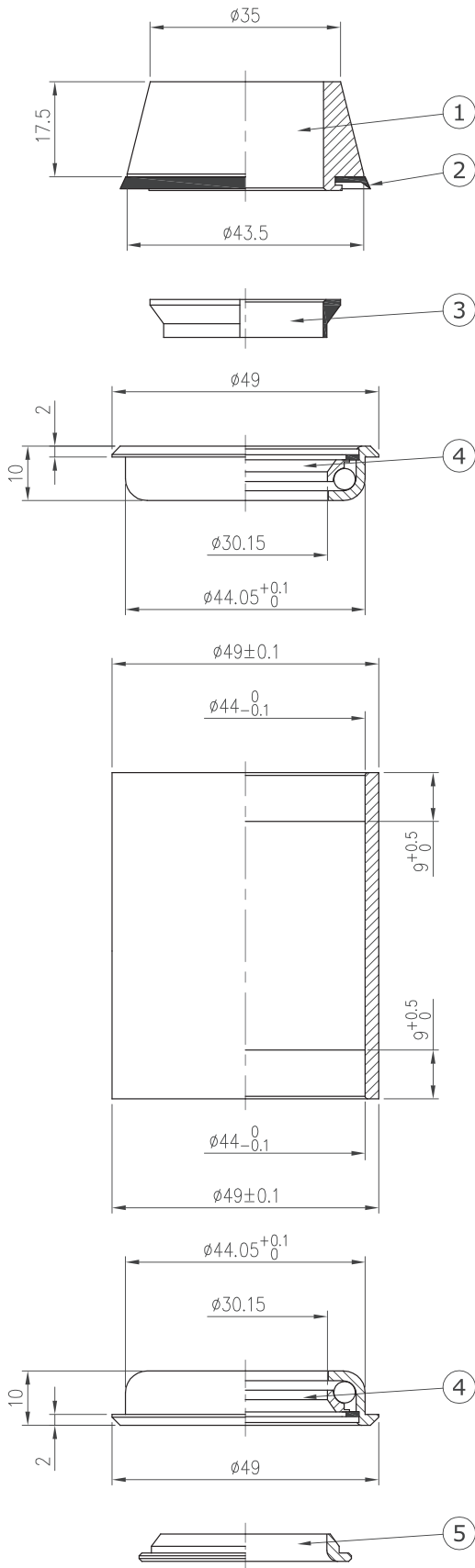


Internal Headset

NO.11G

1-1/8", Semi-cartridge bearing



Stack Height $21.7+3=24.7$

Custom cone spacer		
Item No	T	Stack Height
H2095A	1.5mm	8.7mm



Weight - 124.2 grams

- For 49mm OD head tube
- 1-1/8" steerer
- Flat 1.5mm alloy top cover
- Chromoly cups with integrated semi-cartridge bearing

No	Item No	Material	Qty
⑤	H6018{B-53-6}	Steel	1PCS
④	MR052{NO.11}	Chrome steel	2SETS
③	H2036{NO.5-2}	Nylon	1PCS
②	MS072	Rubber	1PCS
①	H2095B{NO.11G-2}	Alloy	1PCS

