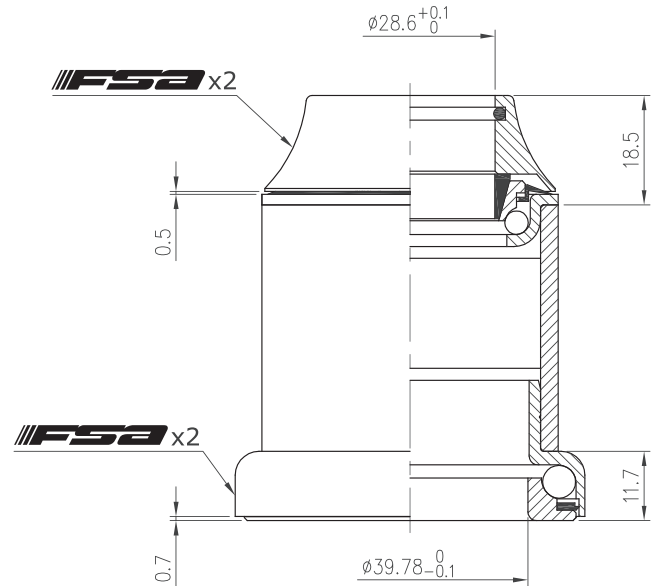
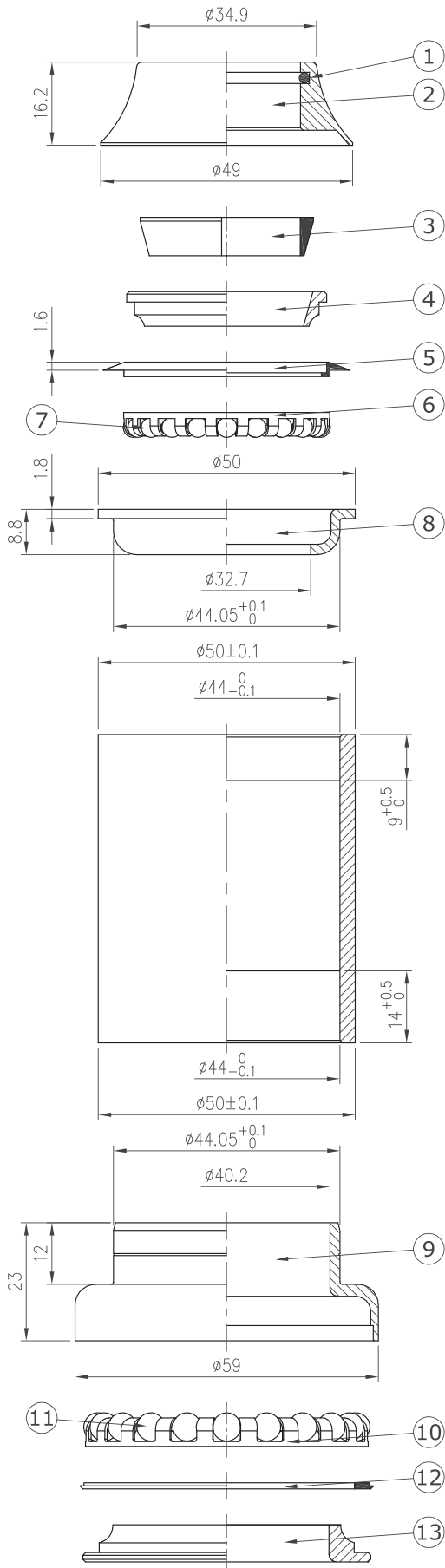


# Internal Headset

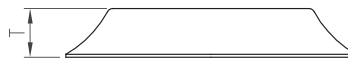
## Orbit ITA B

### NO.10/7B/44

1-1/8" / 1.5", Retainer bearings



Stack Height 18.5+11.7=30.2



Custom cone spacer		
Item No	T	Stack Height
H2079F	8.2mm	22.2mm
H2079H	12mm	26mm
H2079C	21.2mm	35.2mm
H2079D	26.2mm	40.2mm
H2079G	45mm	59mm



Weight - 189 grams

- Fits 1-1/8" head tube and 1-1/8" to 1.5" tapered fork
- For 50mm OD head tube
- Upper :  $\Phi 5/32$ "x20 retainer bearings
- Lower : Super oversized  $\Phi 7/32$ "x20 retainer bearings

No	Item No	Material	Qty
13	H6050{NO.7B-6}	Steel	1PCS
12	MS096{NO.60-4-6}	Rubber	1PCS
11	MR005{ $\Phi 7/32$ "}	Chrome steel	20PCS
10	MR068{ $\Phi 7/32$ "x20}	Steel	1PCS
9	H5072{NO.10/7B/44-5}	Steel	1PCS
8	H4060{NO.10-4-5}	Steel	1PCS
7	MR001{ $\Phi 5/32$ "}	Chrome steel	20PCS
6	MR013{ $\Phi 5/32$ "x20}	Steel	1PCS
5	MS093{NO.10}	ABS	1PCS
4	H3071{888-3}	Steel	1PCS
3	H2040{888-2}	Nylon	1PCS
2	H2079B{NO.10-2}	Alloy	1PCS
1	MS053{872}	Rubber	1PCS

