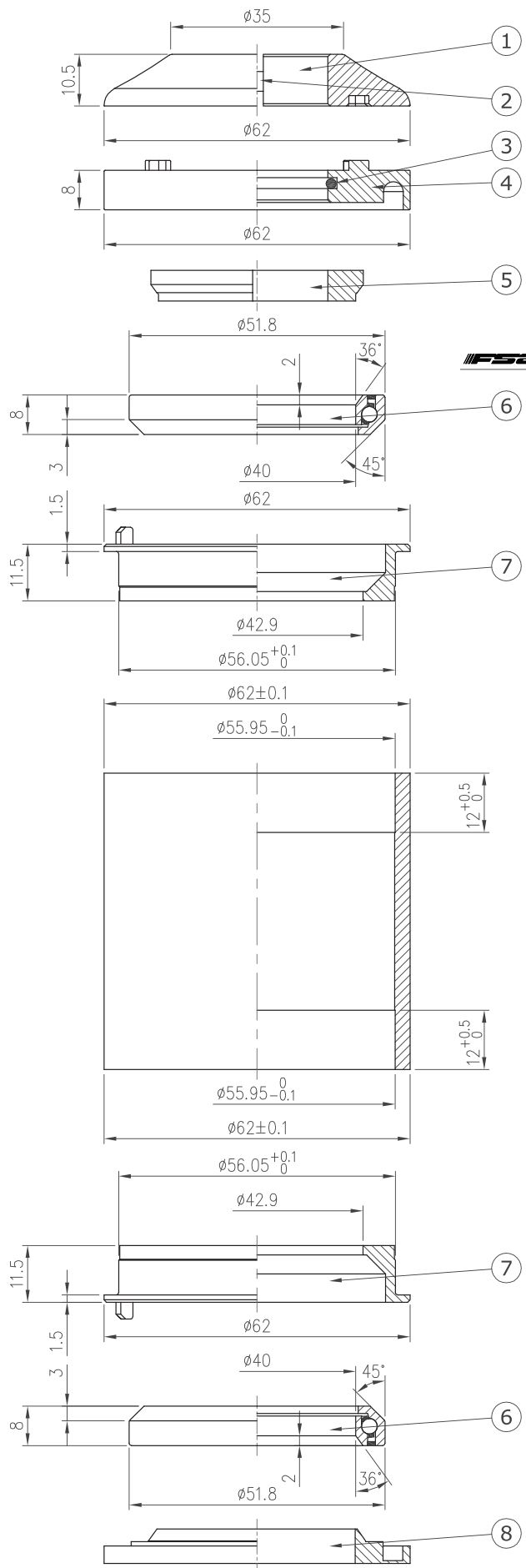


# Internal Headset(CC)

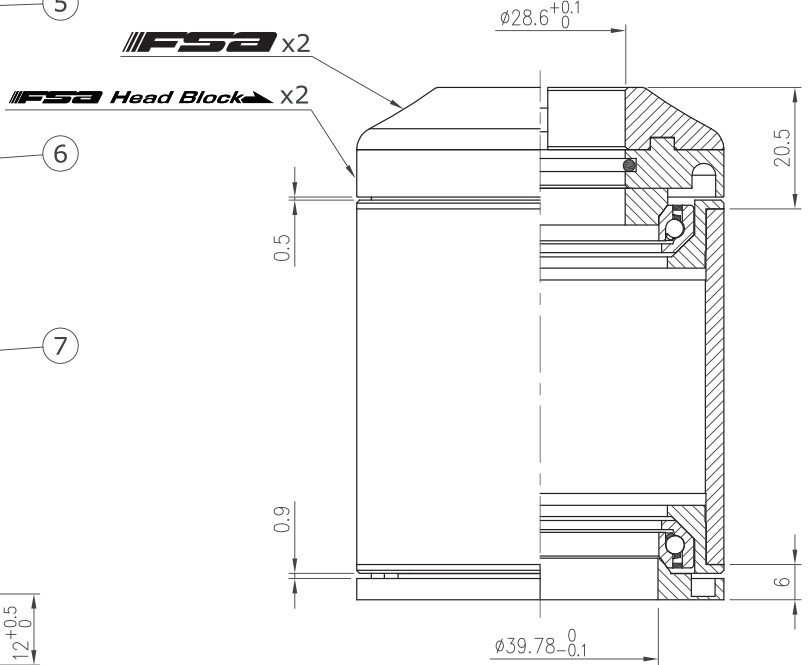
## NO.94-HBS

1-1/8" / 1.5", 36° / 45° ACB

Head Block System



- For 62mm OD head tube
- For 1-1/8" to 1.5" tapered fork
- Angular Contact Bearing (Black seal)



Stack Height 20.5+6=26.5



Weight - 202.5 grams

No	Item No	Material	Qty
⑧	H6163{NO.94-HBS-2}	Alloy	1PCS
⑦	H4180{NO.94-HBS-2}	Alloy	2PCS
⑥	MR127{073E-RS}	Chrome steel	2SETS
⑤	H2286{NO.55R/1.5-2}	Alloy	1PCS
④	H2530{NO.94-HBS-2}	Alloy	1PCS
③	MS053{872}	Rubber	1PCS
②	ML311	Steel	1PCS
①	H2529{NO.94-HBS-2}	Alloy	1PCS

